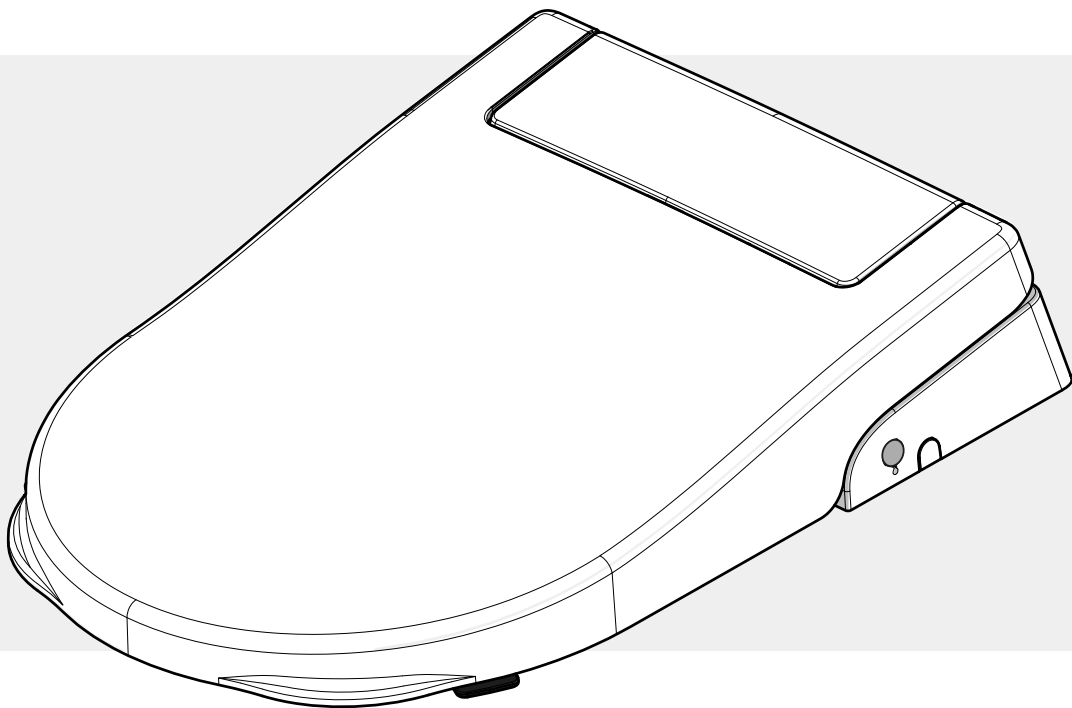


AKW BIDET

USER INSTRUCTIONS



Ergonomic Bidet Seat

Side Entry: 30502
Bottom Entry: 30504

Consilio Bidet Seat

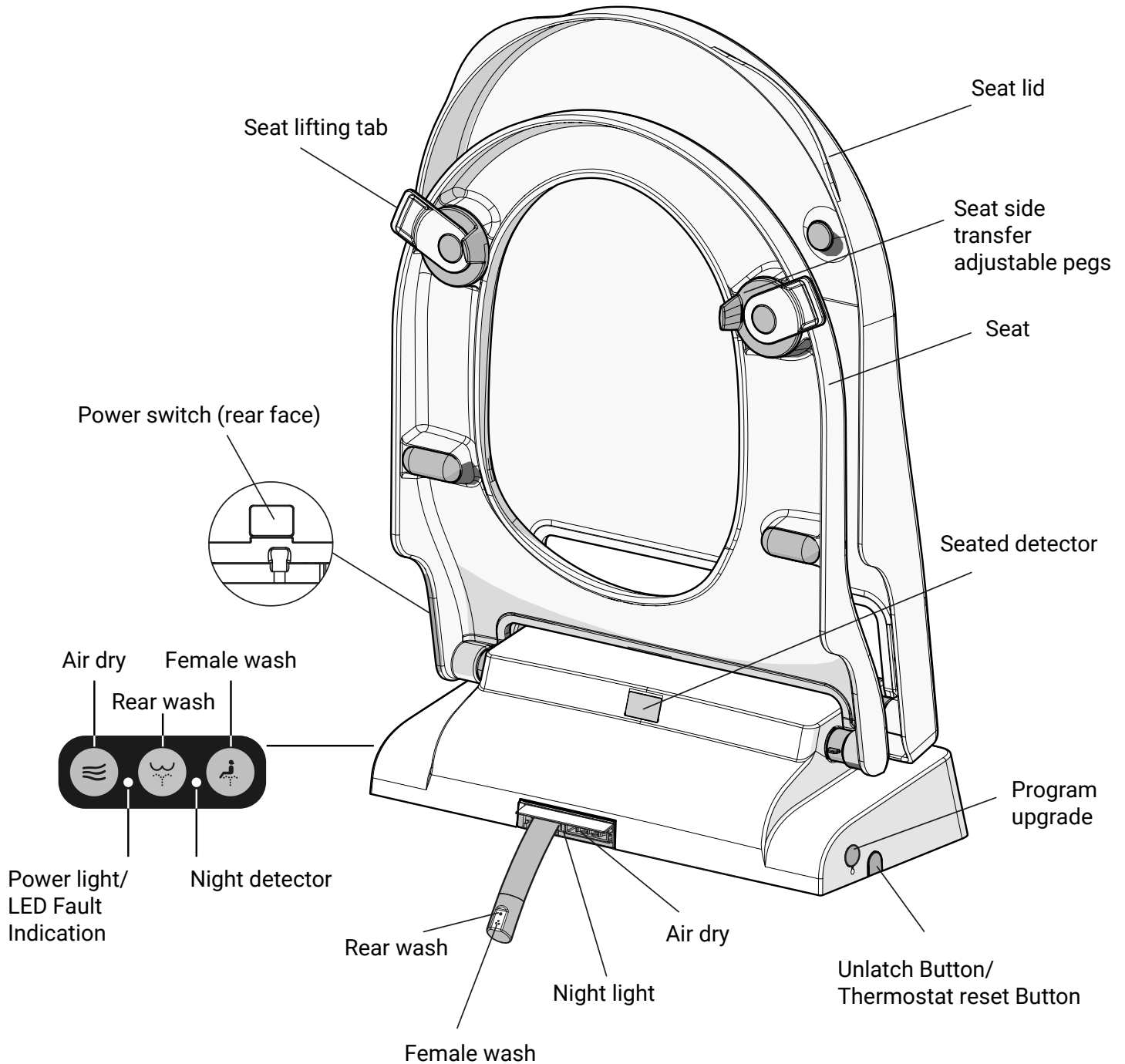
Side Entry: 30501
Bottom Entry: 30503



Please read all instructions before installation and leave this document with the end user for future reference as it contains important warranty information

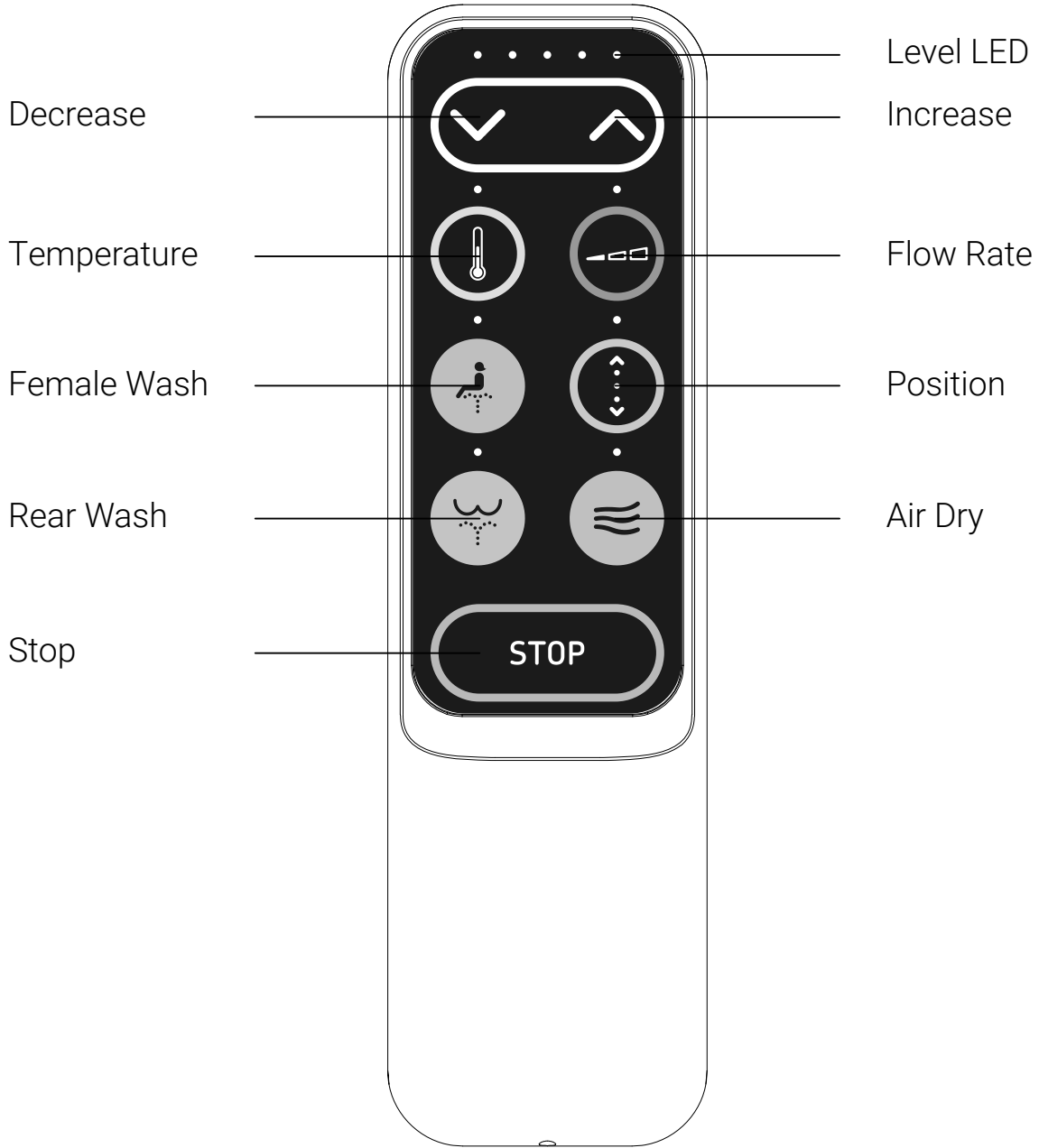
Table of Contents

Overview	3
Bidet Remote Control	4
Functions & Operation	5-7
Maintenance	8-12
Troubleshooting	13-14
Technical Specification	15
Contact Us	16



Bidet Remote Control

BIDET REMOTE CONTROL



Stock code 18-009-028

Rear Wash / Female Wash

Press either the **REAR WASH** or **FEMALE WASH button** to start a wash cycle. The wash cycle can be stopped at any time by pressing the **STOP button** on the remote control or any button on the side of the bidet. In **standard mode** the wash cycle will stop automatically after 2 minutes constant temperature mode or 1 minute gradual cooling mode. In **low pressure mode** the wash cycle will stop automatically after 1 minute constant temperature mode or 1 minute gradual cooling mode. Also rising from the seat will cause a wash cycle to stop.

Note: When using the side buttons, the flow rate, temperature and nozzle position settings, will be the same as the last remote control settings.



Using the remote control

To adjust the **water flow rate**, first press and release the **FLOW RATE button** and then the **INCREASE or DECREASE buttons** to achieve the desired setting.



To adjust the **water temperature**, first press and release the **TEMPERATURE button** and then the **INCREASE or DECREASE buttons** to achieve the desired setting.

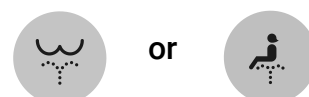


To adjust the **spray nozzle position**, first press and release the **POSITION button** and then the **INCREASE or DECREASE buttons** to achieve the desired setting.



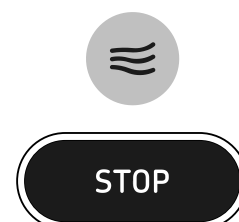
Massage operation

During a wash cycle, pressing the respective rear wash or female wash button on the **remote control** will cycle through massage modes : Oscillate / Pulsate / Oscillate + Pulsate.



Dryer

Press the **AIR DRY button** to start a dry cycle. The dry cycle can be stopped at any time by pressing the **STOP button** on the remote control or any button on the side of the bidet. Otherwise the dry cycle will stop automatically after 3 minutes. Rising from the seat will also cause a dry cycle to stop.



Using the remote control.

To adjust the **air flow rate**, first press and release the **FLOW RATE button** and then the **INCREASE or DECREASE buttons** to achieve the desired setting.



To adjust the **air temperature**, first press and release the **TEMPERATURE button** and then the **INCREASE or DECREASE buttons** to achieve the desired setting.



Functions & Operation

Water Pressure Mode - (Installation setting only)

On the remote, simultaneously press and hold the **REAR WASH** and **FLOW RATE** buttons until the flow rate LED flashes.



On the **remote**, press the **INCREASE** or **DECREASE** buttons to select the mode to suit the inlet pressure not the outlet pressure.
Low Pressure or Standard Pressure

Remote Control LEDS



Press the **DECREASE** button for **Low Pressure Mode**.
Press the **INCREASE** button for **Standard Pressure Mode**.



On the **bidet**, press and release the **AIR DRY** button.
Short beep sound will be heard.



On the **remote**, press and release the **STOP** button.
Long beep sound will be heard.



Standby Mode

Pressing and holding the **AIR DRY** button on the side of the bidet for >6 seconds will enter the bidet into **Standby Mode**.
Pressing and holding the button again for >6 seconds will revert to **Normal Mode**.



Night Light

To alter the night light mode, first press and hold the **STOP** button on the remote control. While still pressing the **STOP** button, press and release the **FLOW RATE** button to cycle through the options **Off / Always On / Smart**.

Remote Control LEDS



In Smart mode, the night light will automatically turn on or off in dark / bright environments respectively. Press the **STOP** button to exit.



Water Temperature Mode

To set the temperature mode, first press and hold the **STOP button** on the remote control.

While still pressing the **STOP button**, press and release the **TEMPERATURE button** to alternate between **Constant** and **Gradual** settings. Press the **STOP button** to exit.

Remote Control LEDS



Constant Mode: Water temperature constant throughout wash cycle.

Gradual Mode: Water temperature gradual cooling to inlet temperature throughout wash cycle.

Sound

The bidet can optionally acknowledge a button press with a short beep sound.

To alter the sound setting, first press and hold the **STOP button** on the remote control. While still pressing the **STOP button**, press the **POSITION button** to alternate between **Off** and **On** settings. Press the **STOP button** to exit.

Remote Control LEDS



Pairing Remote Control

On the remote, simultaneously press and hold the **STOP** and **TEMPERATURE buttons** until the temperature LED flashes.

On the **remote**, press the **INCREASE** or **DECREASE buttons** to select an arbitrary channel pattern as indicated on the level LEDS. If there are multiple units in the vicinity each must have a different pattern selected.

On the **bidet**, press and release the **AIR DRY button**.

On the **remote**, press and release the **STOP button**.



Care and cleaning recommendations

Always isolate the power supply before cleaning.

The bidet unit and surrounding areas should be cleaned periodically to remove any accumulation of dirt or other waste materials, using domestic bathroom and kitchen cleaning materials with a soft cloth.



Do not use any abrasive pads, brushes or cloths.

Do not use metal cleaning products.

Do not use strong or concentrated acidic, alkaline or other cleaning materials as these may damage or discolour the product.

After cleaning always rinse with water then wipe thoroughly with a damp soft cloth to remove any cleaning material residue.

Self cleaning operation

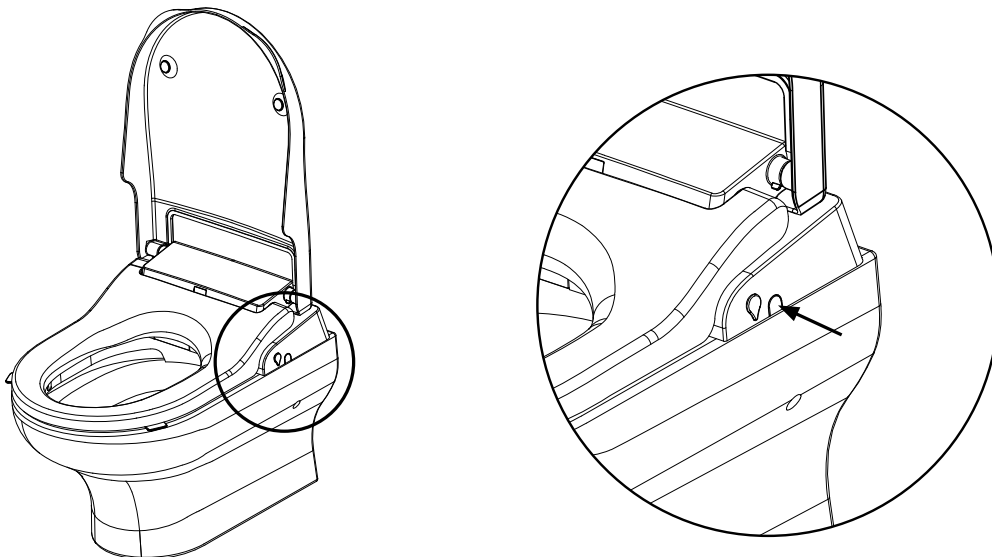
When the bidet has not been used for 72 hours, it will automatically self-clean (approx 3 mins). All other functions will be inoperable during the self-cleaning cycle.

Note:

If the appliance is not to be used for a long period of time (more than a few weeks), switch off the appliance at the mains, isolate the water supply and drain the heater tank. See maintenance page 15 in the installation instructions.

Resetting the thermostat

If the appliance needs to be reset (see troubleshooting page 13) press the side reset button.



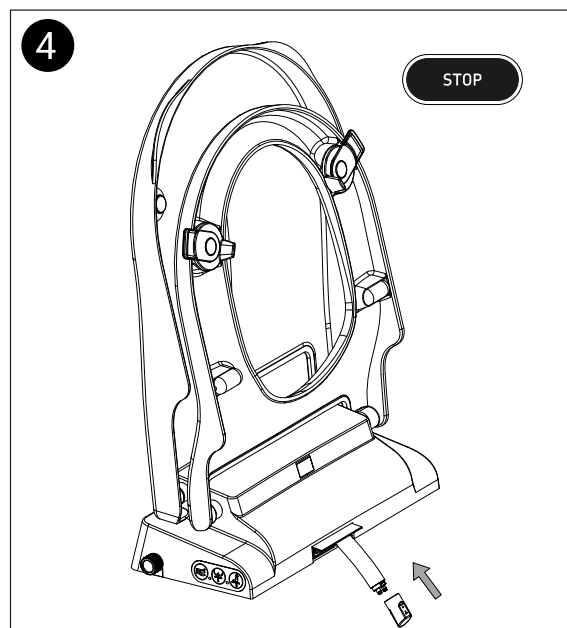
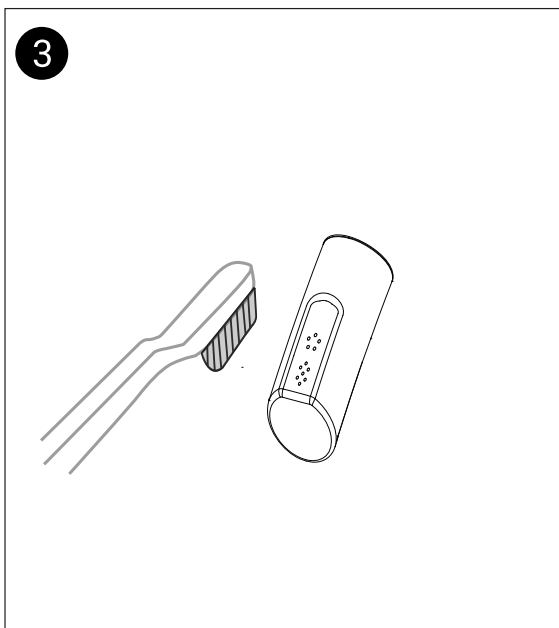
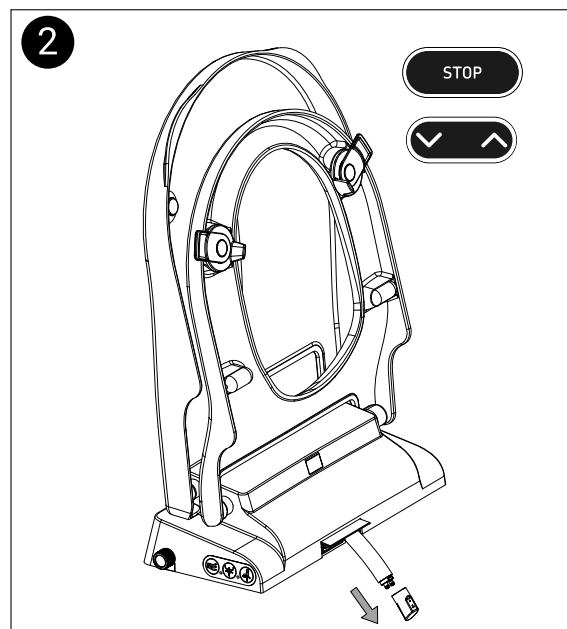
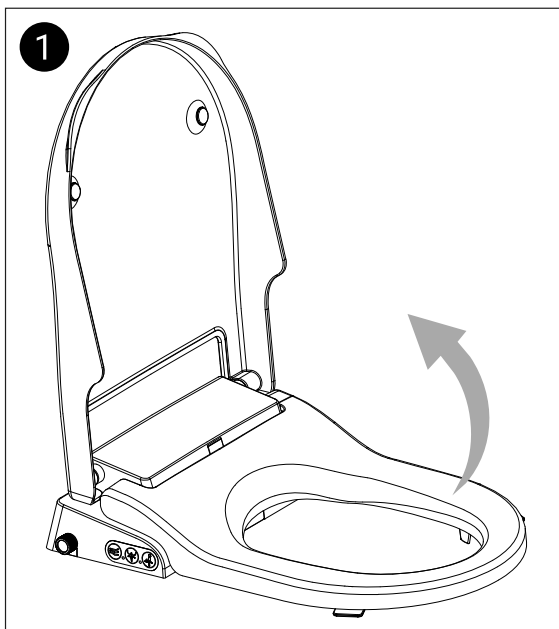
Nozzle cleaning

Ensure that the nozzle is clear and free of blockages before or after washing.

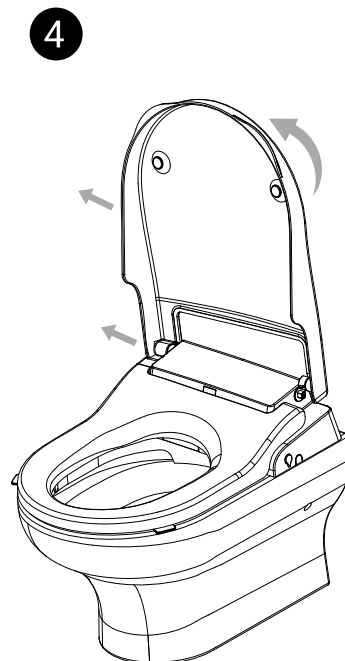
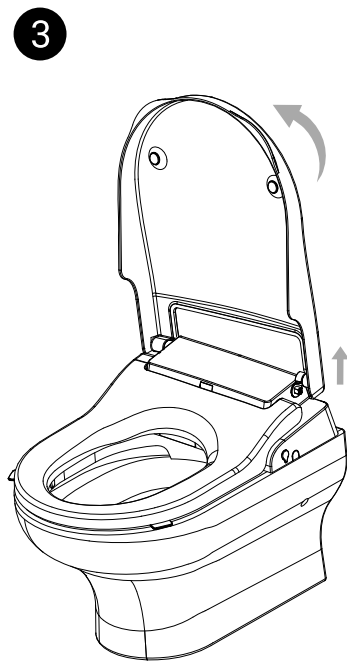
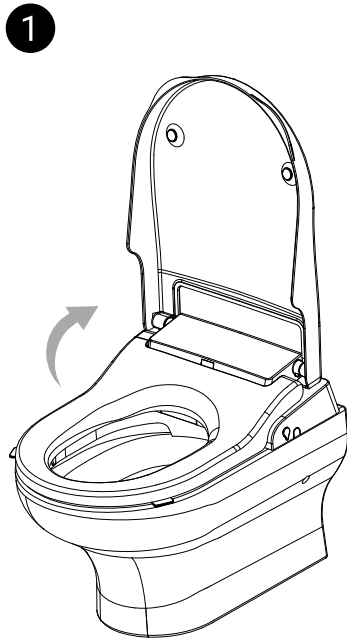
To clean the nozzle in a non-working state.

On the remote control, while pressing the **STOP** button, press the **DECREASE** button once, to make the nozzle appear from the bidet.

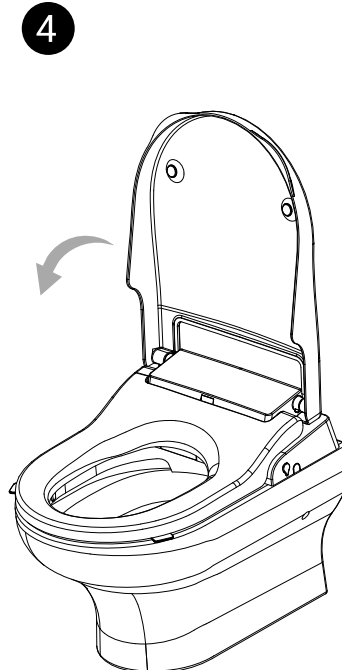
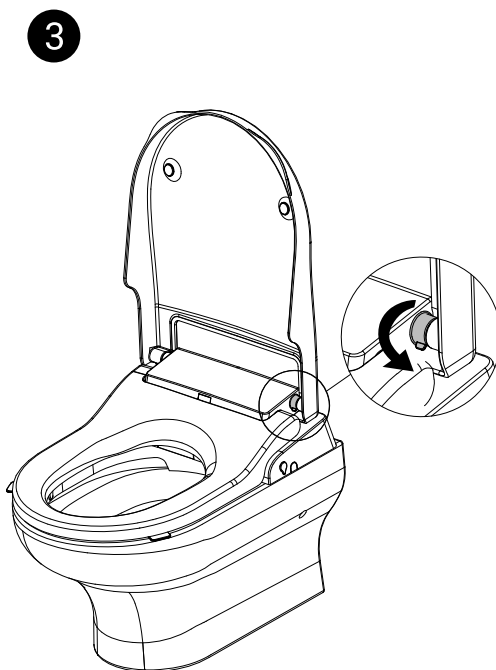
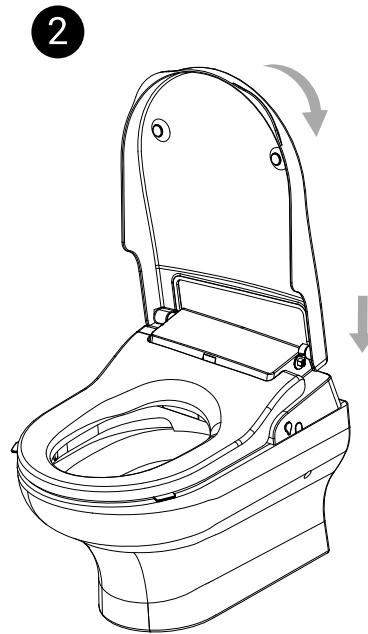
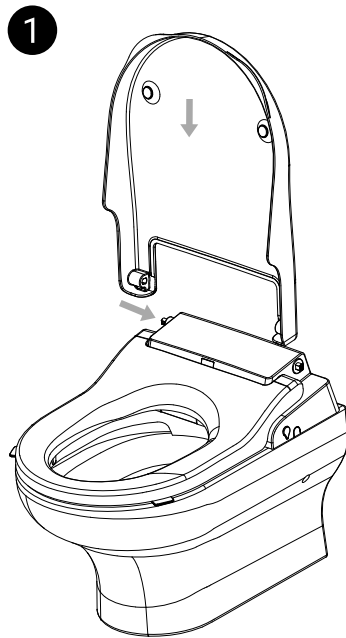
The nozzle will go back to its start position automatically after 5 minutes or when the **STOP** button is pressed. If the cleaning is not complete, repeat to make the nozzle appear again.



Removing the seat lid - Removal of the seat is the same as the seat lid.

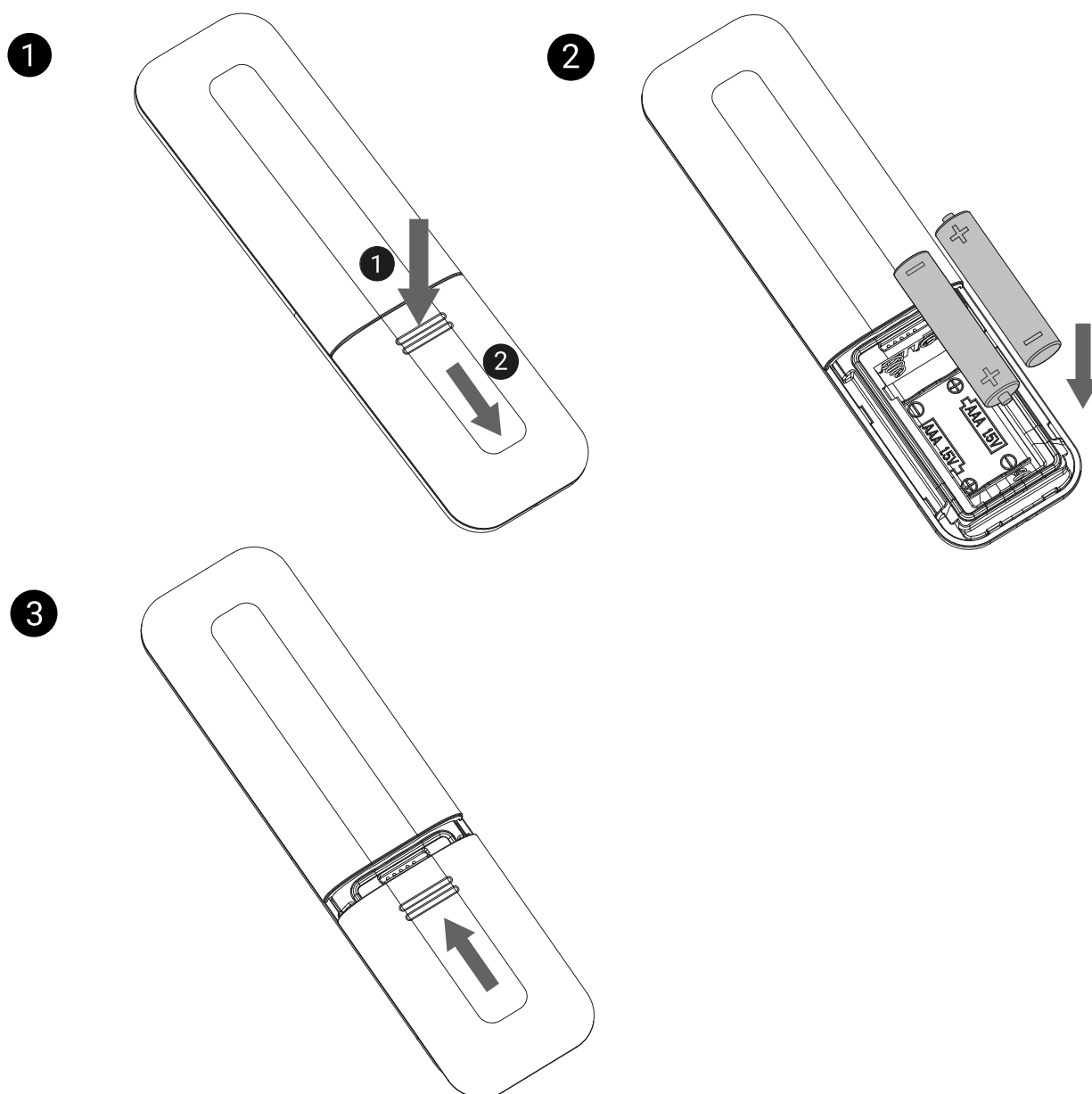


Replacing the seat lid - Replacement of the seat is the same as the seat lid.



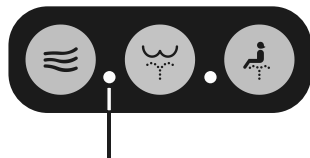
Replacing the batteries

The remote control requires 2x AAA batteries (type 1.5V LR03/AAA) not supplied.



Problem	Potential Cause	Suggested Action
No wash function	1. Bidet switched off at rear.	Switch On (unless advised not to)
	2. Water supply isolated.	Turn On (unless advised not to)
	3. Seated detector not activated.	Adjust sitting position
	4. Not used for more than 72 hours.	After a prolonged period without use, when the user sits down, the bidet will execute self-cleaning for about 3 minutes. All the buttons are disabled during the self-cleaning.
Washing stops and spray nozzle retracts suddenly	1. A wash cycle is 2 minutes at constant temperature mode or 1 minute at gradual cooling.	This is normal. Re-press the "wash" button if further washing is required
	2. Starvation of water supply.	Check water supply
	3. Seated detector not activated.	Adjust sitting position
Low wash water flow rate	1.Flow rate may be set too low.	Adjust water flow rate (see page 5)
	2.Water supply pressure may be too low.	Ensure water supply dynamic pressure is at least 0.5 bar
	3. Spray nozzle may be blocked.	Remove / clean / refit
Low wash water temperature	1. Water temperature may be set too low.	Adjust water temperature (see page 5)
	2. Temperature of water supply is too low.	Set wash water temperature higher and/or reduce water flow rate (see page 5)
	3. Thermostat needs to be reset.	Reset Thermostat (see page 8)
Delay before spray nozzle comes out	At start of wash function, the nozzle will self-clean before coming out.	This is normal
Water flows but spray nozzle does not come out	1. At start of wash function, the nozzle will self-clean before coming out.	This is normal
	2. At end of wash function, the nozzle will self-clean after retracting.	
	3. Not used for more than 72 hours.	After a prolonged period without use, when the user sits down, the bidet will execute self- cleaning for about 3 minutes. All the buttons are disabled during the self-cleaning.
No dryer function	1. Bidet switched off at rear.	Switch On (unless advised not to)
	2. Seated detector not activated.	Adjust sitting position
Low dryer temperature	Air temperature may be set too low.	Adjust air temperature (see page 5)
Night light is always off	1.Permanently bright environment.	When set to smart mode, the night light will turn off in a bright environment. (see page 6)
	2.Mode set to Off.	Refer to Night Light mode setting (see page 6)
Night light is always on	1.Permanently dark environment.	When set to smart mode, the night light will turn on in a dark environment. (see page 6)
	2.Night detector obscured.	Check night detector is not covered (see page 6)
	3.Mode set to always ON.	Refer to Night Light mode setting (see page 6)
Nozzle retracts automatically when manual cleaning	Nozzle retracts after washing 3 minutes.	This is normal
No remote-control function	1.No batteries in the remote control.	Install 2 x AAA batteries in the remote control (see page 12)
	2.Battery power too low.	When battery power is too low the level LEDs will flash. Replace batteries (see page 12)
	3.Remote control is not 'paired' to bidet.	'Pair' the remote control and bidet (see page 7)
Bidet BEEPs	There is a short BEEP when you sit down, a long BEEP when you leave. Also there is a short BEEP when the bidet receives commands.	This is normal. Sound can be disabled (see page 7)
Abnormal operation	General operation anomalies.	Switch off power, wait one minute and switch back on. If operation still abnormal, contact installer.

LED Fault Indication



Power light/LED Fault Indication

Fault Indication	Fault
LED : 1 flash No Beep	1. Heating element switch faulty
LED : 2 flash Continuous Beep	2. Outlet water temperature above 45°C. Continuous beeping until temperature drops to 45°C.
LED : 3 flash Continuous Beep	3. Dryer temperature above 55°C. Continuous beeping until temperature drops to 45°C.
LED : 5 flash No Beep	4. Level sensor failure or no water in tank.
LED : 6 flash No Beep	5. Tank refill too slow.
LED : 7 flash No Beep	6. Tank drain too slow.
LED : 8 flash No Beep	7. Water inlet thermistor faulty.
LED : 8 flash No Beep	8. Water outlet thermistor faulty.
LED : 8 flash No Beep	9. Dryer thermistor faulty.

NOTE :

Normal operation LED is BLUE.

Warning LED is RED and flashes once per second, repeating every 10 seconds.

Warning LED flashes are continuous until reset by pressing **DRY** button on bidet.

Warning beep only for conditions 2 and 3 above.

Warning beep active even if bidet in sound disabled mode.

Technical Specification

Wash	Rear Wash Female Wash Oscillating Spray Pulsating Spray Oscillating and Pulsating Spray Adjustable Water Temperature Temperature modes Adjustable Flow Rate Adjustable Spray Position	Yes Yes Yes Yes Yes 6 Levels (Default 4th) Constant temperature (Default) and Gradual cooling 5 Steps (Default 3rd) 5 Steps (Default 3rd)
Warm Air	Air Drying Adjustable Dryer Temperature Adjustable Dryer Rate	Yes 6 Levels(Default 3rd) 5 Steps(Default 3rd)
Hygiene	Nozzle Auto Cleaning Nozzle Manual Cleaning	Yes Yes
Features	Night Light Soft Closing Seat And Cover Quick Release Seat And Cover Control buttons Remote Control	Yes Yes Yes Yes Yes
Specification	Water Supply Connector Water Supply Direction	G 1/2" / G 3/8" Side Entry / Bottom Entry
	Water Supply Pressure (Standard) Water Supply Pressure (Low) Water Supply Temperature Rated Voltage Power Rating Length Of Power Cord Ambient Temperature Protection Degree Maximum weight loading	Min 0.5 (dynamic)~Max 8 (static) Bar Min 0.2 (dynamic)~Max 8 (static) Bar 4~30°C AC230V, 50Hz 1750W approx. 1.5m 4~40°C IPX4 150kG
Wash Device	Flow Rate (Standard) Flow Rate (Low) Water Temperature Wash Cycle Time (Standard) Wash Cycle Time (low) Heating Mode Safety Device Back flow Prevention	600~1000mL/min 450~650mL/min 31~39°C 2 Minutes at Constant temperature mode or 1 minute at gradual cooling mode. 1 Minute at Constant temperature mode and gradual cooling mode. Element Thermal Fuse\Liquid Level Switch\Thermostat Air Gap
Dry Device	Minimum Air Volume Maximum Dryer Power Warm Air Temperature Dry Cycle Time Safety Device	0.2m ³ /min 350W 40~52°C 3 minutes Thermal Fuse/Thermostat
Remote Control	Frequency Maximum RF Output Power Type of Batteries	~2460MHz 0dBm 2x 1.5V LR03 AAA (not included)

Contact Us

AKW
Life Made Better

Orders & Quotes

01905 823 299
orders@akw-ltd.co.uk

General Enquiries

01905 823 298
sales@akw-ltd.co.uk

Technical Enquiries

01905 560 219
tech@akw-ltd.co.uk

Kitchen Enquiries

01905 823 262
kitchens@akw-ltd.co.uk

Fax

01905 823 297

AKW

Pointon Way, Hampton Lovett
Droitwich Spa, WR9 0LR

www.akw-ltd.co.uk
[orders.akw-ltd.co.uk](mailto:orders@akw-ltd.co.uk)

Follow us on Social:



Warranty

Warranty applies only to manufacturing or material defects, conditional on the one-time correct installation of the product. It does not apply to:

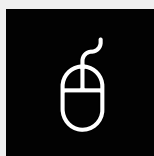
- Inappropriate use or accidental damage.
- Damage or defects that result from incorrect installation.
- Lack of maintenance including the build up of grime or damage resulting from inappropriate cleaning.
- Damage or defects that result from repairs or modifications undertaken by unauthorised persons.
- General wear and tear through usage and does not apply to surface finishes.

Warranty period starts from the date of installation. To activate your warranty, you must register your product within 30 days of installation. See the T&Cs on our website for further information.

Select 1 of 3 ways to activate your warranty



1. Scan using your Smart Device



2. Visit Online

akw-ltd.co.uk/warranty-information



3. Warranty Card

Fill and complete warranty card and post using the prepaid envelope supplied

What to do if something goes wrong?

In the event that you encounter a problem with this product, follow the trouble shooting guide if applicable, then contact your local installer. If the issue is still unresolved, contact AKW Technical Enquiries who will provide further advice and arrange for a maintenance engineer to visit if necessary. None of the foregoing affects your statutory rights.